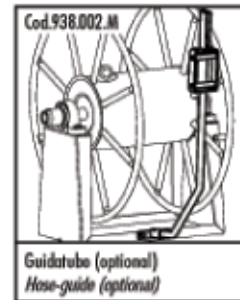
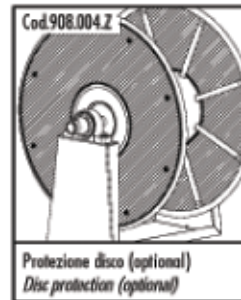
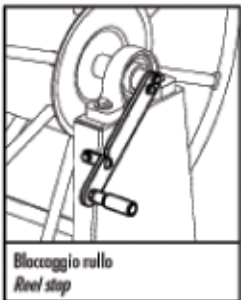
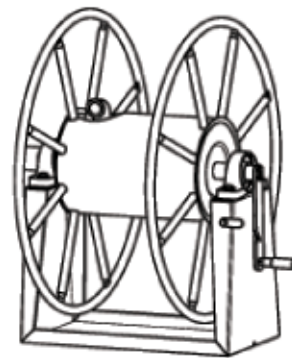
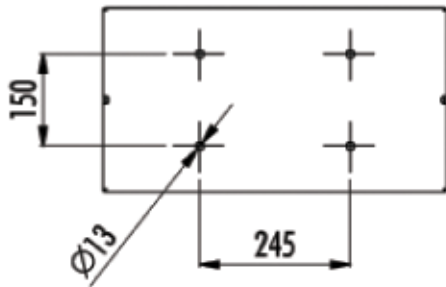
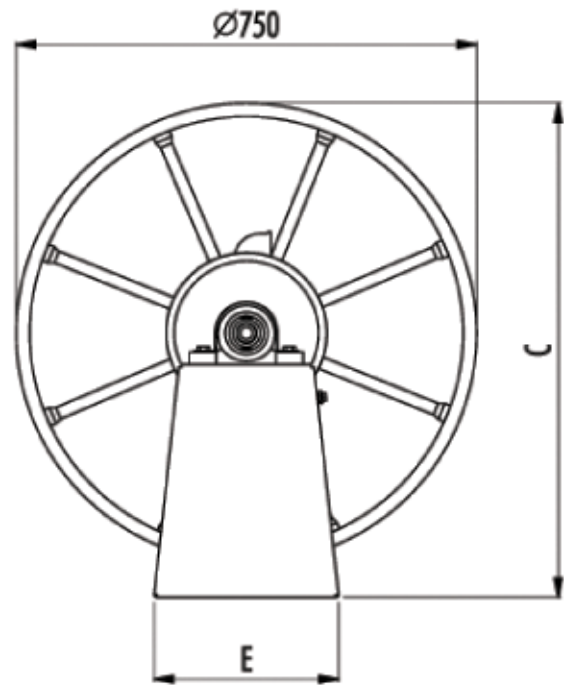
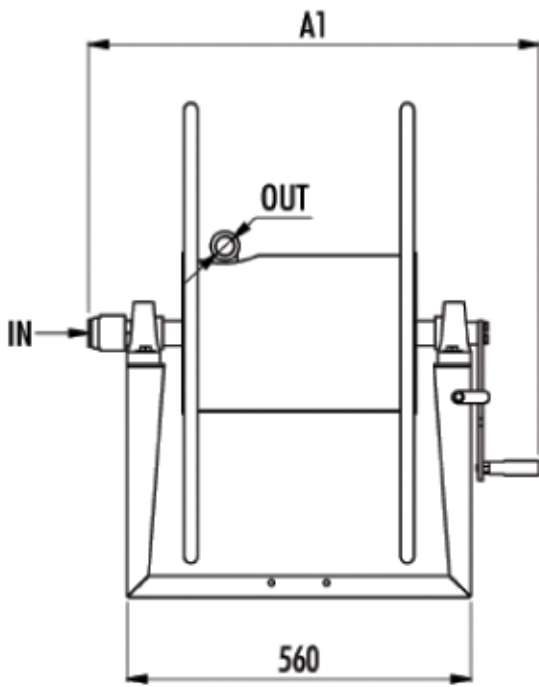


SERIE 2000

VERSIONE : 01



Codice Code	BAR	Lunghezza e diametro tubo consigliati Recommended hose length and diameter	Raccordi Connections		Dimensioni Dimensions			OPTIONAL		Peso Weight
			IN	OUT	A1	C	E	Protezione disco Disc protection	Guidatubo Hose-guide	
SR2330	250	230 m - Ø 1/2	M.G1/2	F.G1/2	720	790	200	908.004.Z	938.002.M	34.5 Kg
SR2350	250	140 m - Ø 3/4	M.G3/4	F.G3/4	745	790	200	908.004.Z	938.002.M	37.6 Kg
SR2310	250	80 m - Ø 1"	F.G1"	F.G1"	730	810	300	908.004.Z	938.002.M	38.8 Kg

Codice Code	Metri di tubo rinvolvibili calcolati su diversi diametri esterni in pollici e millimetri Meters of hose, which can be rewinded, calculated on different external diameters in inches and millimeters																																				
	Ø 3/8				Ø 1/2				Ø 3/4				Ø 1"				Ø 1 1/4				Ø 1 1/2																
	17	18	19	20	21	22	23	24	25	26	27	28	29	30	31	32	33	34	35	36	37	38	39	40	41	42	43	44	45	46	47	48	49	50	51	52	53
SR2330	397	386	335	286	274	246	234	192	/	/	/	/	/	/	/	/	/	/	/	/	/	/	/	/	/	/	/	/	/	/	/	/	/	/	/	/	/
SR2350	/	/	/	/	/	/	234	192	190	157	150	148	126	126	118	/	/	/	/	/	/	/	/	/	/	/	/	/	/	/	/	/	/	/	/	/	/
SR2310	/	/	/	/	/	/	/	/	/	/	/	/	126	118	118	99	93	93	93	93	83	67	67	67	67	/	/	/	/	/	/	/	/	/	/	/	/