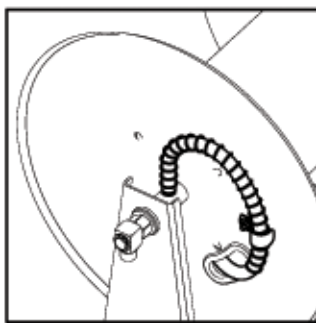
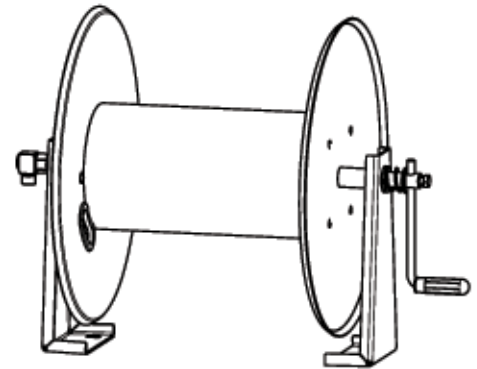
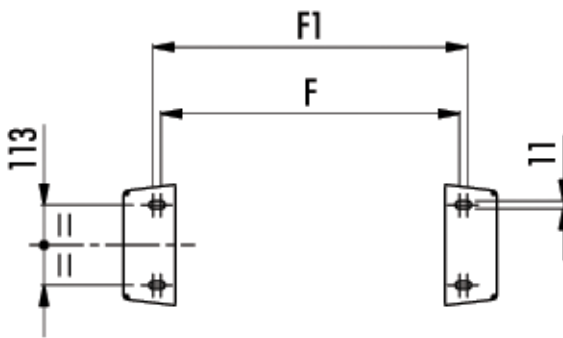
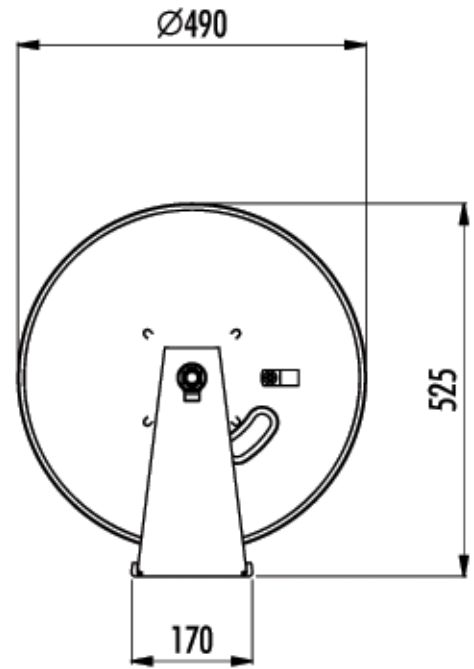
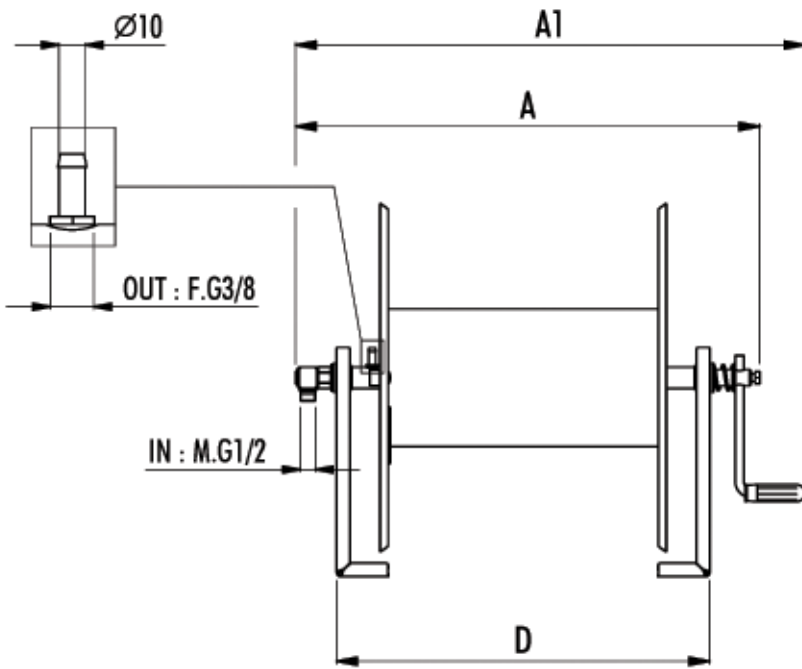
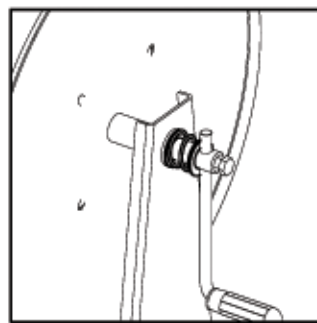


SERIE 2000

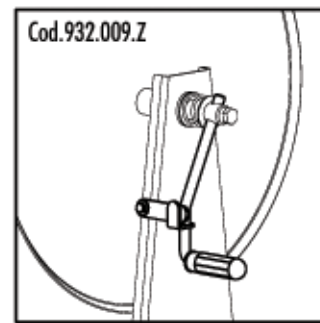
VERSIONE : 01



Montaggio tubo facilitato
Easily installable hose



Molla frizione
Clutch spring



Bloccaggio rullo (optional)
Reel stop (optional)

| Codice Code | BAR | Lunghezza e diametro tubo consigliati Recommended hose length and diameter | Dimensioni Dimensions | | | | | Metri di tubo riavvolgibili calcolati su diversi diametri esterni in pollici e millimetri Metres of hose, which can be rewinded, calculated on different external diameters in inches and millimeters | | | | | | | | | | Peso Weight | OPTIONAL Bloccaggio rullo Reel stop |
|----------------|-----|---|--------------------------|-----|-----|-----|-----|--|-----|-------------------|-----|-------------------|-----|-----|-----|-----|---------|----------------|---|
| | | | A1 | A | D | F1 | F | $\varnothing 5/16$ | | $\varnothing 3/8$ | | $\varnothing 1/2$ | | | | | | | |
| | | | | | | | | 15 | 16 | 17 | 18 | 19 | 20 | 21 | 22 | 23 | | | |
| SR2050 | 250 | 70 m - $\varnothing 3/8$ | 518 | 453 | 326 | 242 | 220 | 106 | 100 | 93 | 80 | 73 | 62 | 56 | 45 | 40 | 13.6 Kg | 932.009.Z | |
| SR2100 | 250 | 110 m - $\varnothing 3/8$ | 618 | 553 | 426 | 342 | 320 | 160 | 154 | 125 | 120 | 115 | 86 | 91 | 86 | 69 | 14.7 Kg | 932.009.Z | |
| SR2150 | 250 | 160 m - $\varnothing 3/8$ | 718 | 653 | 526 | 442 | 420 | 221 | 209 | 173 | 168 | 135 | 131 | 126 | 120 | 93 | 15.8 Kg | 932.009.Z | |
| SR2200 | 250 | 200 m - $\varnothing 3/8$ | 818 | 753 | 626 | 542 | 520 | 330 | 273 | 220 | 209 | 205 | 164 | 154 | 140 | 116 | 16.9 Kg | 932.009.Z | |